

Applicable Model
R20A

Drawing Title
Angle Bracket

Drawing Unit
mm

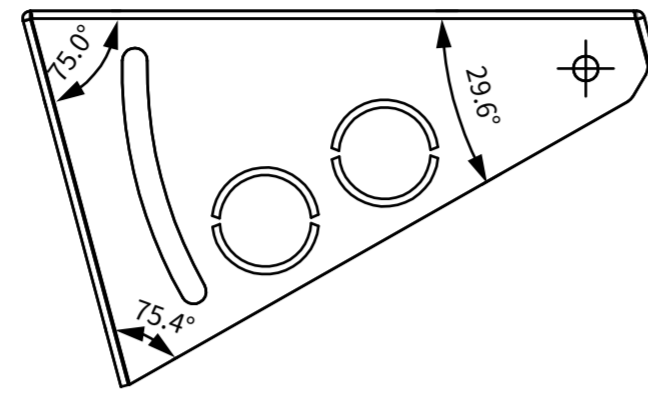
Drawing Scale
Not to scale

DRAFT
SUBJECT TO
CHANGE

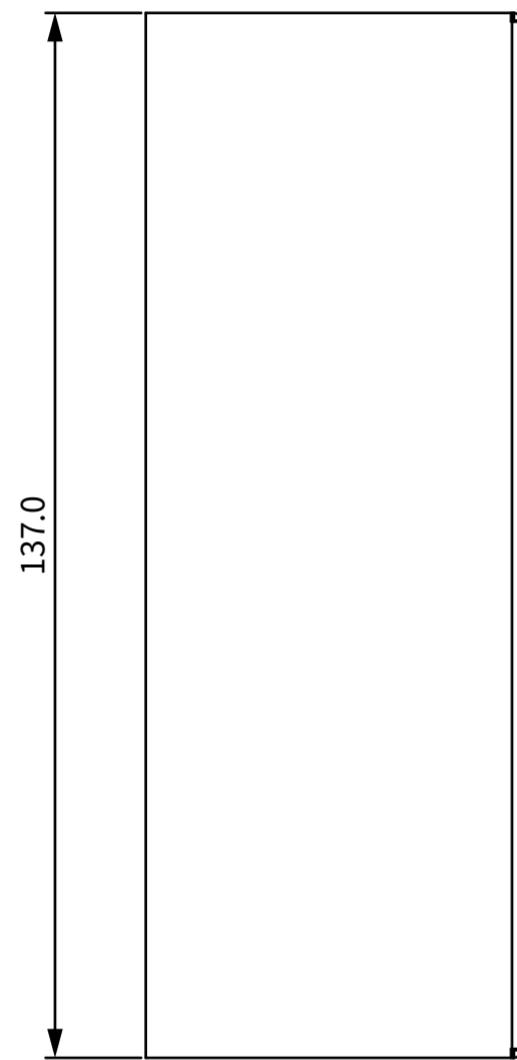
Last Revised
Aug 13, 2024

Drawing Version
V1.0

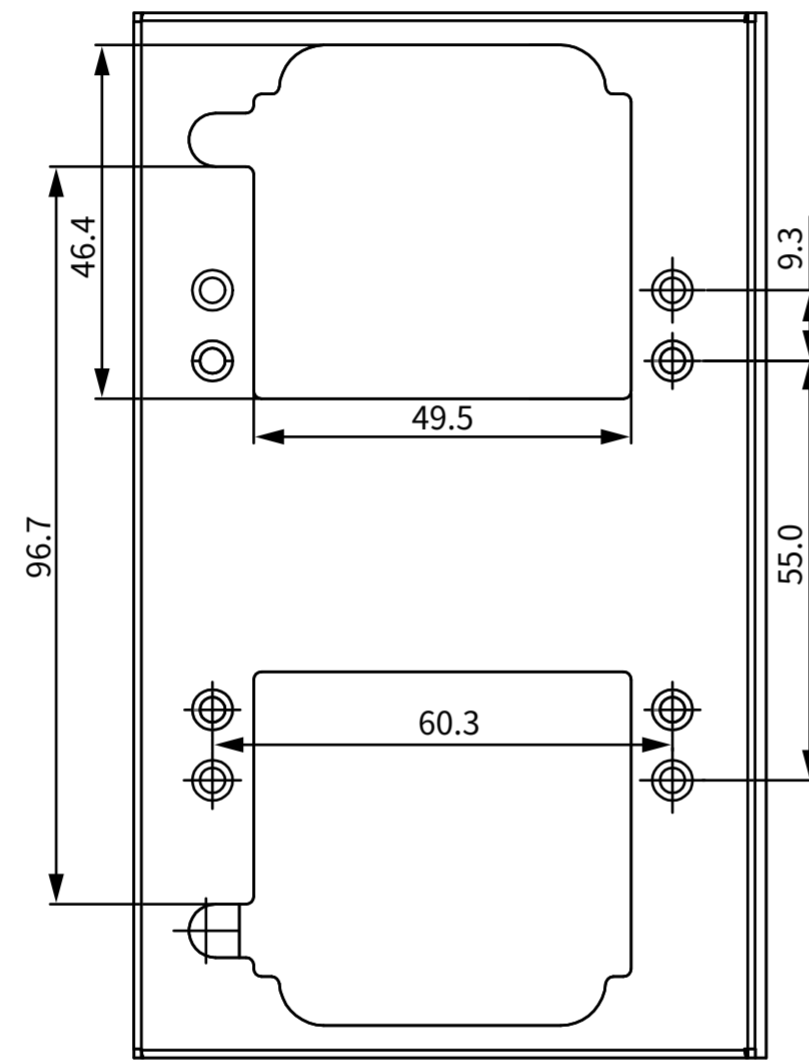
Page
1 of 1



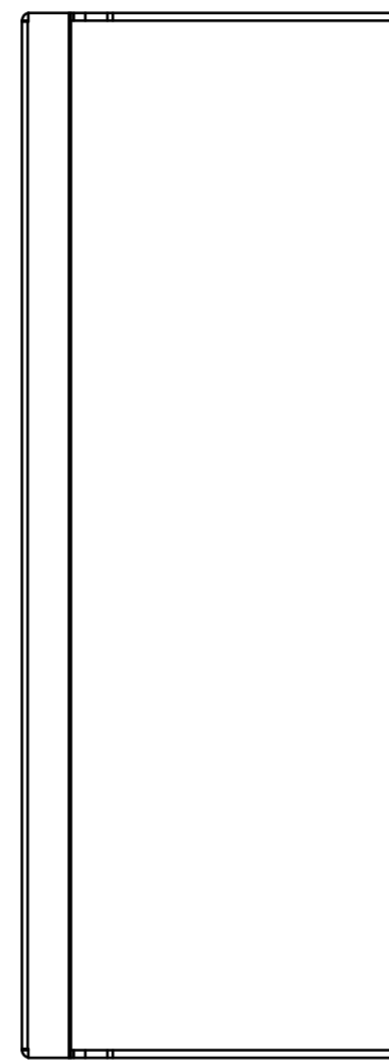
6 BOTTOM VIEW



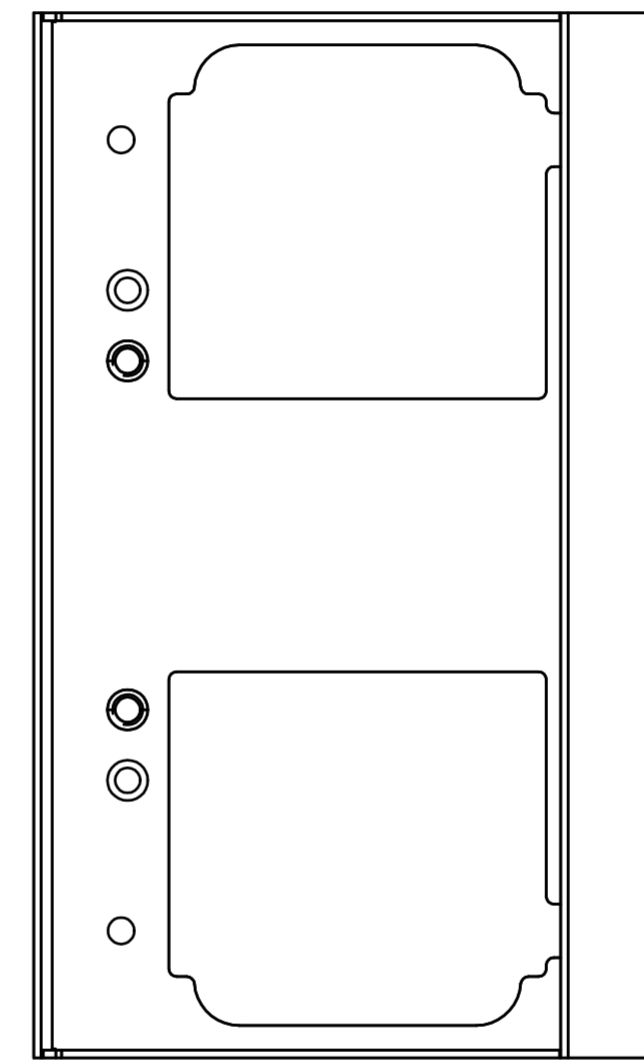
2 RIGHT VIEW



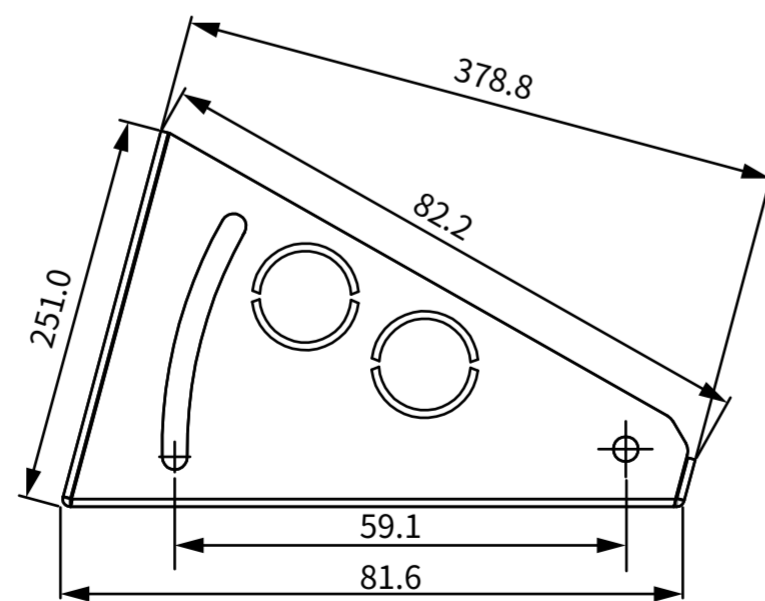
1 FRONT VIEW



3 LEFT VIEW



4 BACK VIEW



5 TOP VIEW